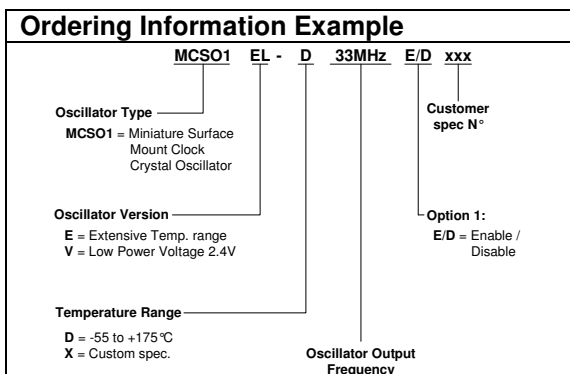


FREQUENCY STABILITY	
OVER:	
OPERATING TEMP. RANGE:	See note 1
OVERALL STABILITY:	$< \pm 300\text{ppm}^*$
INCLUDING:	
•	OVER OPERATING TEMPERATURE RANGE
•	ADJUSTMENT @ 25°C
•	AGING (24 HOURS @ 175°C)
•	STABILITY OVER SUPPLY VOLTAGE $\pm 10\%$
•	STABILITY OVER LOAD (MIN. TO MAX.)
POWER SUPPLY	
SUPPLY VOLTAGE:	$V_{dd} = 2.4\text{V} \pm 5\%$
INPUT CURRENT:	$< 300\mu\text{A}$
OUTPUT	
OUTPUT SIGNAL:	HC-MOS compatible
SYMMETRY: $40 / 60\%$ (min.) @ $V_{dd} / 2^*$	
RISE & FALL TIME:	$t_r < 15\text{ns}$ $t_f < 15\text{ns}^*$
LEVEL "0" & "1":	$< 0.4\text{V}$ $> V_{dd} - 0.5\text{V}$
START-UP TIME:	$< 5\text{ms}$
FAN OUT (LOAD):	25pF max^*
ENVIRONMENT	
OPERABLE TEMP. RANGE:	-55 to $+175^\circ\text{C}$ (during 72 hours)
STORAGE TEMP. RANGE:	-65 to $+125^\circ\text{C}$
VIBRATIONS:	10 to 2000Hz / 10g
SHOCKS:	5000g, 0.3ms, $\frac{1}{2}$ sine
PACKAGE:	Ceramic
PACKAGE DIMENSIONS:	$8.0 \times 3.7 \times 2.0\text{mm}$ (see packaging info)
PROCESSING:	Reflow soldering $260^\circ\text{C} / 10\text{s max.}$ (see packaging info)
MISCELLANEOUS	
Supply voltage 3.3 and 5V available	

Note 1: Operating Temperature Range	
MCSO1-D:	-55 to $+175^\circ\text{C}$

Option 1: Enable / Disable (on request)	
See application circuit on page 2 for details	
Pin 1:	Pin 3 (Fout)::
Open	Clock
H	Clock
L	High Z

Marking Example			
Micro Crystal		Micro Crystal	
MCSO1EL-D	E/D	Type	Option 1
33.000 MHz	09.12	Frequency	Date Code
○		○ (PIN 1)	



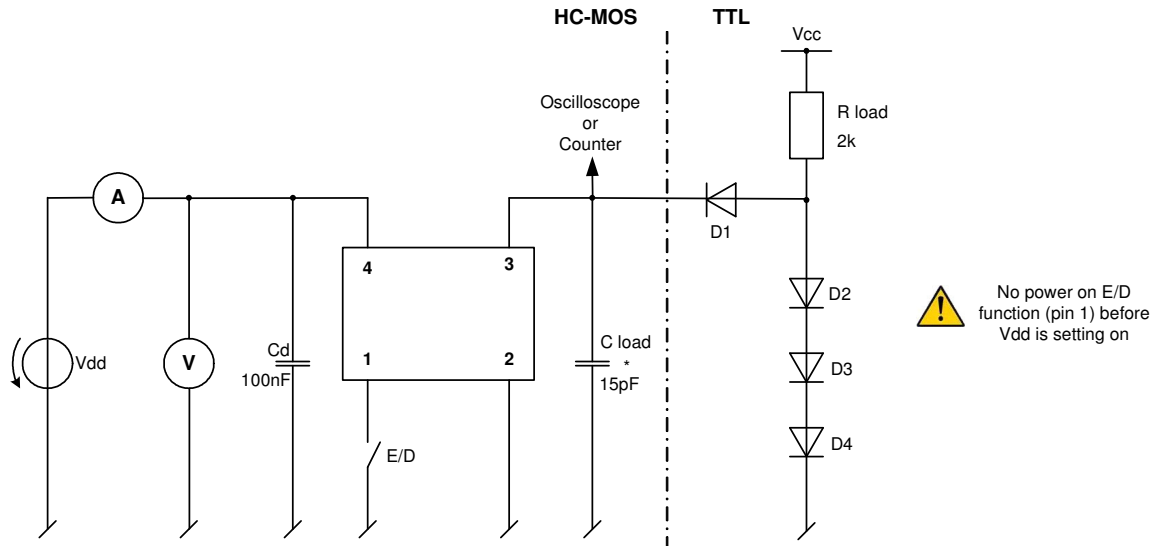
PRELIMINARY

Date :	May 2007	Revision No. : 1	Revision Date : 10.09
--------	----------	------------------	-----------------------

In accordance with our policy of continuous development and improvement,
 we reserve the right to modify the design or the specifications of our products without prior notice.

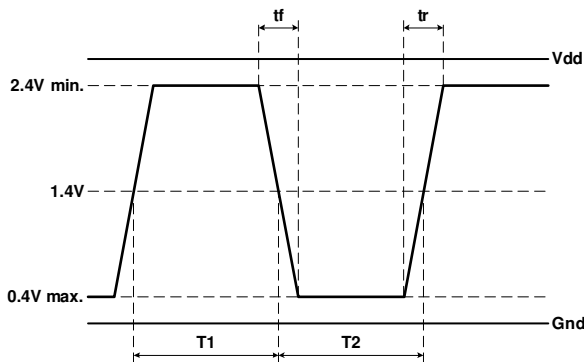
Headquarters:	Micro Crystal AG Mühlestrasse 14 CH-2540 Grenchen Switzerland	Tel.	+41 32 655 82 82
		Fax	+41 32 655 80 90
		Internet	www.microcrystal.ch
		Email	sales@microcrystal.ch

Application and Test Circuit:

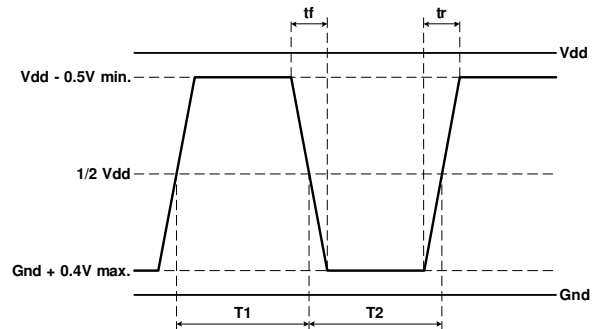


Waveform Output:

Waveshape TTL



Waveshape HC-MOS



$$Duty\ Cycle = 100 \times \frac{T1}{T1 + T2} [\%]$$

Date :	May 2007	Revision No. : 1	Revision Date : 10.09
--------	----------	------------------	-----------------------

In accordance with our policy of continuous development and improvement, we reserve the right to modify the design or the specifications of our products without prior notice.

Headquarters: Micro Crystal AG
 Mühlestrasse 14
 CH-2540 Grenchen
 Switzerland

Tel. +41 32 655 82 82
 Fax +41 32 655 80 90
 Internet www.microcrystal.ch
 Email sales@microcrystal.ch